



[Ver.2024.01.01]

# 조명 기술 정보 안내

LIGHTING TECHNICAL INFORMATION

## 아르코예술극장

ARKO Arts Theater

소극장

Small Hall

# CONTENTS

## I. 전원 및 제어 시스템 Power & Control System

1. 전원 시스템 Power System
2. 제어 시스템 Control System

## II. 조명기자재 현황 Light Equipment

1. 콘솔 Console
2. 무빙라이트 Moving Light
3. 일반조명기 General Light
4. 포그머신 Fog Machine
5. 악세서리 Accessory
6. 공용장비 Common Equipment

## III. 조명 설치 장소 Lighting Hanging Position

무대 Stage

## IV. 기타사항 Etc.

1. 컬러필터 리스트 Color Filter List
2. 기타 참고 사진 Other Reference Photo

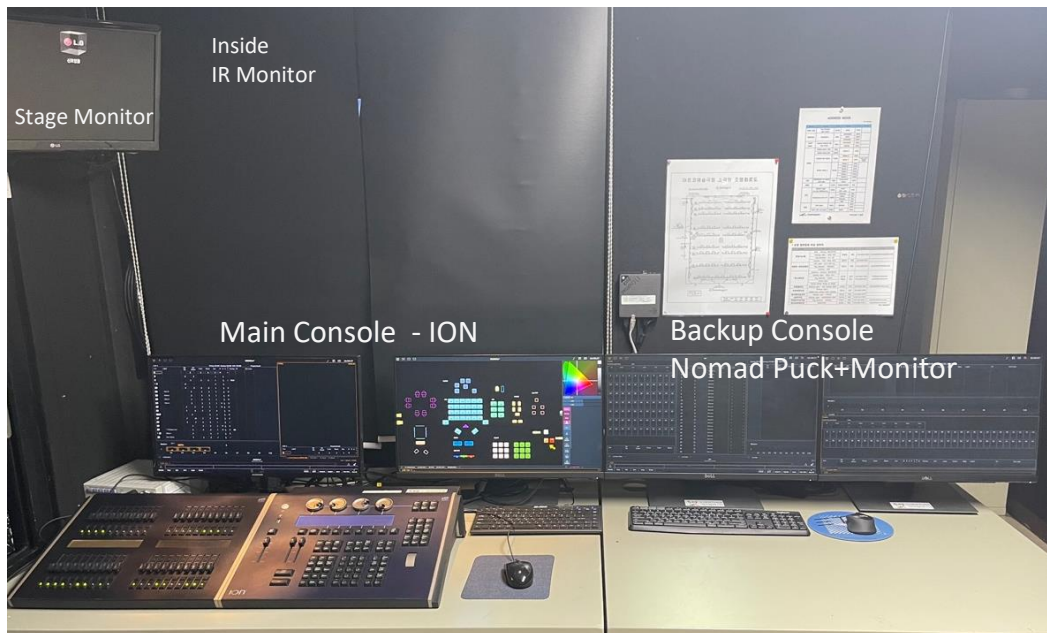
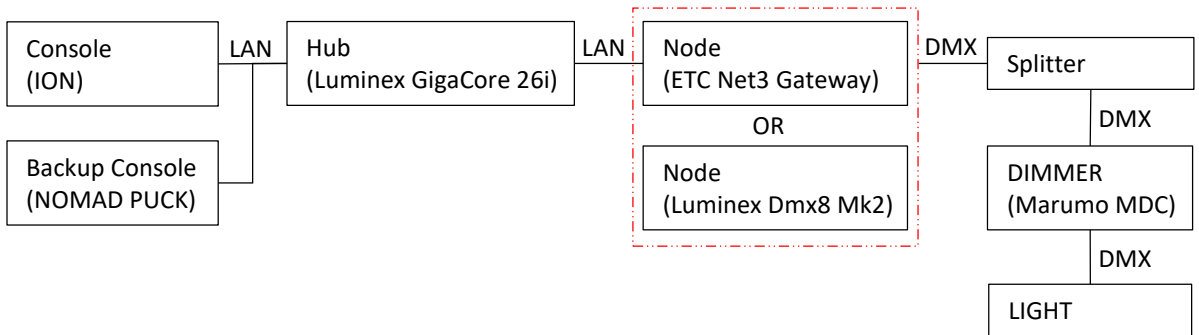
# I. 전원 및 제어 시스템 Power & Control System

## 1. 전원 시스템 Power System

- Dimmer System : **MARUMO MDC (240ea)** 220V/60Hz 5Kw
- Remote Direct : **Switch (40ea)** 220V/60Hz 5Kw

## 2. 제어 시스템 Control System

- Signal System : DMX Port – 4ea (XLR5pin)
  - \* A Port : General Light (1~240)
  - House Light (301~310)



## II. 조명기자재 현황 Light Equipment

### 1. 콘솔 Console

Item	Model	Spec	Quantity	Origin	Remark
Main Console	Ion		2	ETC	Ver.2.9.1 Movable Console 1ea
Backup Console	Nomad puck+PC		1		

### 2. 무빙라이트 Moving Light

Item	Model	Spec	Quantity	Origin	Remark
LED	Nick 1201	450W	15	DTS	Basic 20ch
	Source Four LED Series 2	171W	3	ETC	Only Body

### 3. 일반조명기 General Light

Item	Model	Spec	Quantity	Origin	Remark
Fresnel Spot Light	FQB-1000WS1	1000W	38	MARUMO	Installed Grid 32ea
	FQH-2000W	2000W	9		Installed Grid 6ea
Par Light	Par64	1000W	48	KUPO	CP61/CP62
	Par46	28V/250W	6 Set		1Set-8ea
Source Four	Standard Body	750W	70	ETC	Total Installed 9ea
		19°	5		
	26°	10			
	36°	25			
	50°	50	Installed Grid 6ea		
	70°	7	Installed Grid 3ea		
	Zoom 25°~50°	750W	25		
Flood Light	QCU-2	500W	10	MARUMO	
Foot Spot Light	FP-500W	500W	3		

#### 4. 포그머신 Fog Machine

Item	Model	Spec	Quantity	Origin	Remark
Fog Machine	LFA-T2	1500w	1	KAI SHINE Lighting	Haze
	Z-1000	1000w	1	ANTARI	Heavy
Fan			1		

#### 5. 악세서리 Accessory

Item	Model	Spec	Quantity	Origin	Remark
Iris	Source Four	400RS	10	ETC	
Stand	Low	65mm(H)	10	MARUMO	SHB-10
	Middle	985~1,685 mm(H)	10		ST2C
Barn Door	FQH-1000WS1		15	MARUMO	1Kw
	PAR64		9	KUPO	1Kw / Compatible FQH-1000WS1

#### 6. 공용장비 Common Equipment

Item	Model	Spec	Quantity	Origin	Remark
T-Pipe		400mm(W) x 1,000mm(H)	7		1,000mm Extension pipe 35EA

**\* 공연 전 장비의 사용 및 수량에 대해 반드시 극장 담당자와 협의 바랍니다 \***

**Please speak with the management  
About the usage of equipment before the  
performance.**

Technical Support Division Lighting Director  
Phone NO : 82)-02-3668-0041

Chief Lighting Director  
E-mail Address : stage8227@arko.or.kr

### Ⅲ. 조명 설치 장소 Lighting Hanging Position

#### 무대 Stage



**Grid Size(mm)** 560 x 560

**Pipe  $\phi$**  480mm

## IV. 기타사항 Etc.

### 1. 컬러 필터 리스트 Color Filter List

#### LEE FILTER

<a href="#">025</a>	SUNSET RED	<a href="#">124</a>	DARK GREEN	<a href="#">180</a>	DRAK LAVENDER
<a href="#">052</a>	LIGHT LAVENDER	<a href="#">132</a>	MIDIUM BLUE	<a href="#">181</a>	CONGO BLUE
<a href="#">101</a>	YELLOW	<a href="#">135</a>	DEEP GOLDEN AMBER	<a href="#">197</a>	ALICE BLUE
<a href="#">105</a>	ORANGE	<a href="#">136</a>	PALE LAVENDER	<a href="#">200</a>	DOUBLE C.T. BLUE
<a href="#">106</a>	PRIMARY RED	<a href="#">137</a>	SPECIAL LAVENDER	<a href="#">201</a>	FULL C.T. BLUE
<a href="#">111</a>	DARK PINK	<a href="#">138</a>	PALE GREEN	<a href="#">202</a>	HALF C.T. BLUE
<a href="#">115</a>	PEACOCK BLUE	<a href="#">147</a>	APRICOT	<a href="#">203</a>	QUARTER C.T. BLUE
<a href="#">117</a>	STEEL BLUE	<a href="#">158</a>	DARK ORANGE	<a href="#">204</a>	FULL C.T. ORANGE
<a href="#">119</a>	DARK BLUE	<a href="#">161</a>	STATE BLUE	<a href="#">205</a>	HALF C.T. ORANGE
<a href="#">121</a>	LEE GREEN	<a href="#">162</a>	BASTARD AMBER	<a href="#">228</a>	BRUSHED SILK
<a href="#">122</a>	FERN GREEN	<a href="#">165</a>	DAYLIGHT BLUE	<a href="#">253</a>	HAMPSHIRE FROST

#### ROSCO FILTER

<a href="#">083</a>	MEDIUM BLUE	<a href="#">085</a>	DEEP BLUE		
<a href="#">114</a>	HAMBURG FROST	<a href="#">119</a>	LIGHT HAMBURG FROST	<a href="#">132</a>	QUARTER HAMBURG FROST

## 2. 기타 참고 사진 Other Reference Photo

### Stand



**SHB-10**

**Total 8EA**

**Size(mm) 65(H)**

**ST2C**

**Total 10EA**

**Size(mm) 985~1,685(H)**



### Plug Type



**2P&G(USA)**

### Ladder



**Genie AWP-20S**

**1 EA**

**Size(mm) 6,120(H)**

**Max Weight 130kg**



**UP LIFT UG20DC**

**1 EA**

**Size(mm) 8,100(H)**

**Max Weight 156kg**